

V60

**YALITIMSIZ EKONOMİK  
KAPI SİSTEMİ  
UNINSULATED ECONOMICAL  
DOOR SYSTEM**

1

**\* DİZGİSEL GEREKLİLİKLERDEN ÖTÜRÜ TÜM ÇİZİMLER (  $\frac{3}{5}$  ) ÖLÇEKLİDİR.**

ALL OF THE DRAWINGS ARE (  $\frac{3}{5}$  ) SCALED FOR THE TYPOGRAPHIC NECESSITIES.



## YALITIMSIZ MENTEŞELİ DOĞRAMA SİSTEMİ

### UNINSULATED HINGED SYSTEM



#### TEKNİK ÖZELLİKLER

##### TECHNICAL PROPERTIES

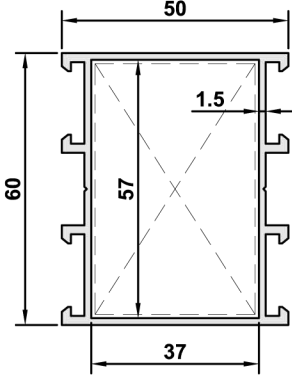
KASA DERİNLİĞİ / FRAME DEPTH :	60 mm
KANAT DERİNLİĞİ / SASH DEPTH :	60 mm
PROFİL ET KALINLIĞI / PROFILE WALL THICKNESS :	1,5 mm - 2 mm
MAX. CAM KALINLIĞI / MAX. GLASS THICKNESS :	40 mm
ISI BARIYERLERİ / INSULATION BARS :	-
ISI YALITIM DEĞERİ (Uf) / THERMAL INSULATION VALUE (Uf) :	-

#### KULLANIM SEÇENEKLERİ

##### APPLICATION ALTERNATIVES

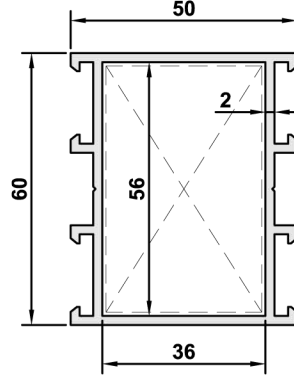
	PENCERE WINDOW	KAPI DOOR
İÇE AÇILIR BİNİLİ / INWARD OPENING STEP :		
DIŞA AÇILIR BİNİLİ / OUTSIDE OPENING STEP :		
İÇE AÇILIR HEMYÜZ / INWARD OPENING FLUSH :	●	●
DIŞA AÇILIR HEMYÜZ / OUTSIDE OPENING FLUSH :	●	●
GİZLİ KANAT / HIDDEN VENT :		
ÇİFT EKSEN / TILT&TURN :		
PARALEL / TILT&SLIDE :		
KATLANIR / FOLDING :		

## 1,5mm

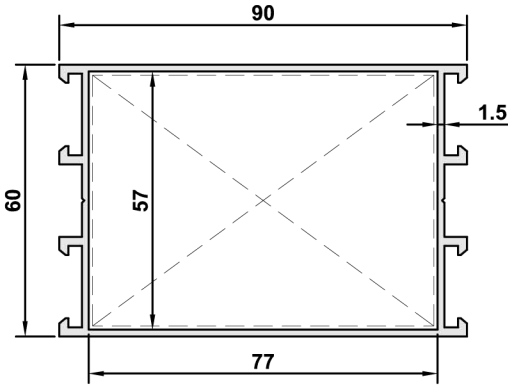


<b>3005-15</b>		
KÖŞE BAĞLANTILARI CORNER CLEATS AND ALIGNMENTS		
6900 (56mm)		
KAYIT BAĞLANTILARI CONNECTIONS OF TRANSOM PR.		
3004 (36mm)		
Jx (cm <sup>4</sup> )	Jy (cm <sup>4</sup> )	y x
19,69	13,46	
AĞIRLIK / WEIGHT		
1,074 kg/m		

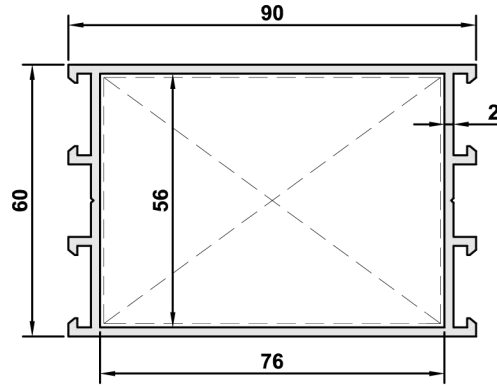
## 2mm



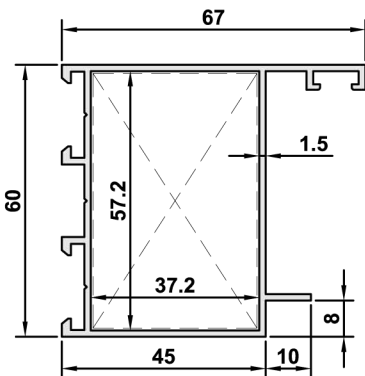
<b>3005-20</b>		
KÖŞE BAĞLANTILARI CORNER CLEATS AND ALIGNMENTS		
6900 (55mm)		
KAYIT BAĞLANTILARI CONNECTIONS OF TRANSOM PR.		
3004 (35mm)		
Jx (cm <sup>4</sup> )	Jy (cm <sup>4</sup> )	y x
24,11	15,74	
AĞIRLIK / WEIGHT		
1,325 kg/m		



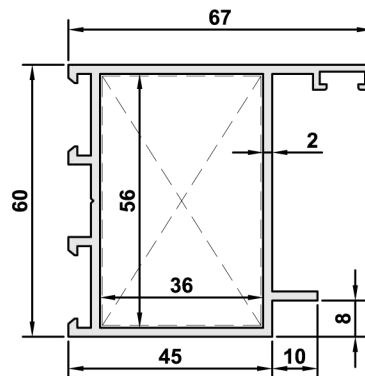
<b>4119-15</b>		
KÖŞE BAĞLANTILARI CORNER CLEATS AND ALIGNMENTS		
20799 (56mm)		
KAYIT BAĞLANTILARI CONNECTIONS OF TRANSOM PR.		
3004 (76mm)		
Jx (cm <sup>4</sup> )	Jy (cm <sup>4</sup> )	y x
29,96	58,51	
AĞIRLIK / WEIGHT		
1,402 kg/m		



<b>4119-20</b>		
KÖŞE BAĞLANTILARI CORNER CLEATS AND ALIGNMENTS		
20799 (55mm)		
KAYIT BAĞLANTILARI CONNECTIONS OF TRANSOM PR.		
3004 (75mm)		
Jx (cm <sup>4</sup> )	Jy (cm <sup>4</sup> )	y x
37,57	70,51	
AĞIRLIK / WEIGHT		
1,762 kg/m		



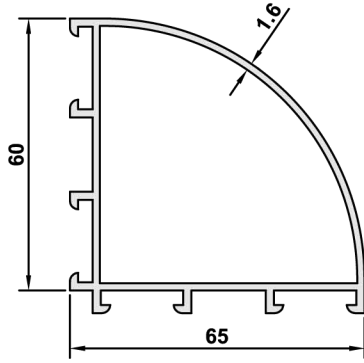
<b>3006-15</b>		
KÖŞE BAĞLANTILARI CORNER CLEATS AND ALIGNMENTS		
6900 (56mm)		
Jx (cm <sup>4</sup> )	Jy (cm <sup>4</sup> )	y x
21,96	14,00	
AĞIRLIK / WEIGHT		
1,027 kg/m		



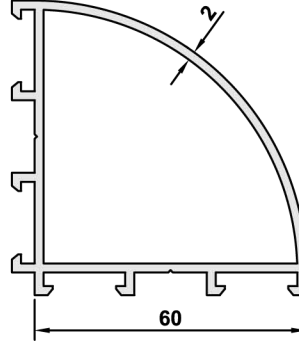
<b>3006-20</b>		
KÖŞE BAĞLANTILARI CORNER CLEATS AND ALIGNMENTS		
6900 (55mm)		
Jx (cm <sup>4</sup> )	Jy (cm <sup>4</sup> )	y x
28,06	18,19	
AĞIRLIK / WEIGHT		
1,382 kg/m		

1,5mm

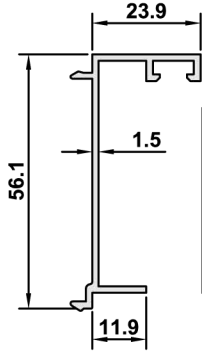
2mm



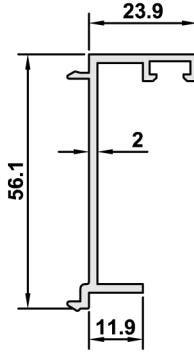
3032-16		
Jx (cm <sup>4</sup> )	Jy (cm <sup>4</sup> )	y
27,27	27,27	x
AĞIRLIK / WEIGHT		
1,084 kg/m		



3032-20		
Jx (cm <sup>4</sup> )	Jy (cm <sup>4</sup> )	y
32,16	32,16	x
AĞIRLIK / WEIGHT		
1,406 kg/m		

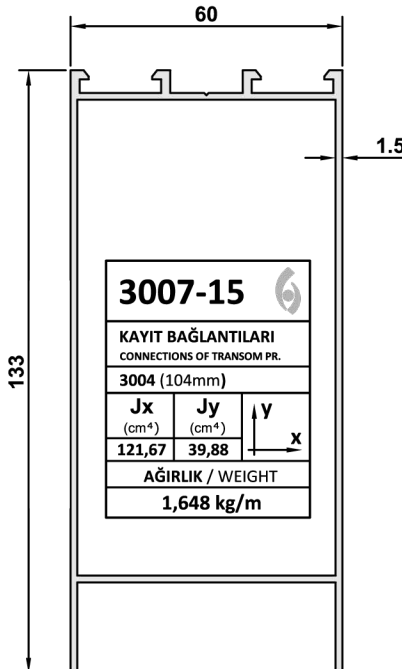


3003-15		
Jx (cm <sup>4</sup> )	Jy (cm <sup>4</sup> )	y
6,87	0,66	x
AĞIRLIK / WEIGHT		
0,423 kg/m		

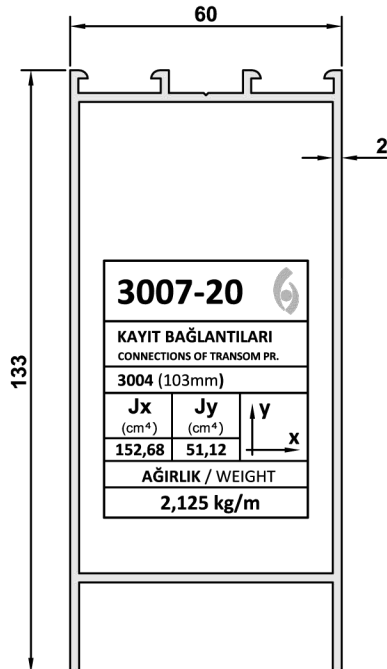


3003-20		
Jx (cm <sup>4</sup> )	Jy (cm <sup>4</sup> )	y
7,12	0,74	x
AĞIRLIK / WEIGHT		
0,526 kg/m		

4



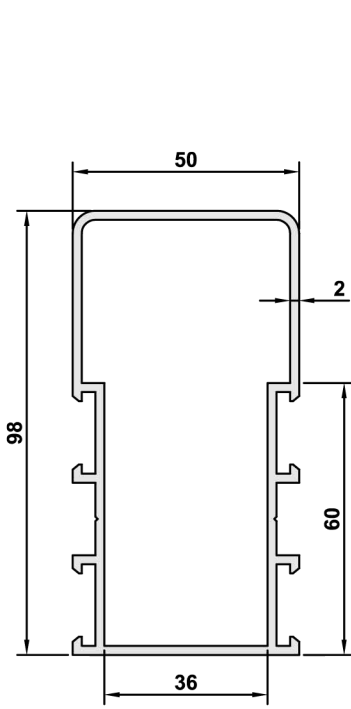
3007-15		
KAYIT BAĞLANTILARI CONNECTIONS OF TRANSOM PR.		
3004 (104mm)		
Jx (cm <sup>4</sup> )	Jy (cm <sup>4</sup> )	y
121,67	39,88	x
AĞIRLIK / WEIGHT		
1,648 kg/m		



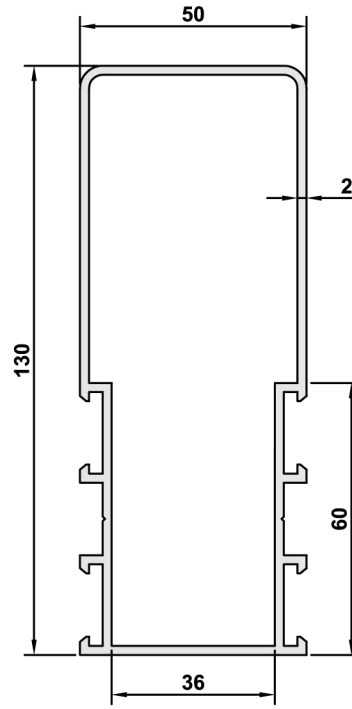
3007-20		
KAYIT BAĞLANTILARI CONNECTIONS OF TRANSOM PR.		
3004 (103mm)		
Jx (cm <sup>4</sup> )	Jy (cm <sup>4</sup> )	y
152,68	51,12	x
AĞIRLIK / WEIGHT		
2,125 kg/m		



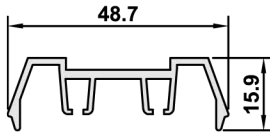
3008-20		
KAYIT BAĞLANTILARI CONNECTIONS OF TRANSOM PR.		
3004 (61mm)		
Jx (cm <sup>4</sup> )	Jy (cm <sup>4</sup> )	y
51,09	36,46	x
AĞIRLIK / WEIGHT		
1,642 kg/m		



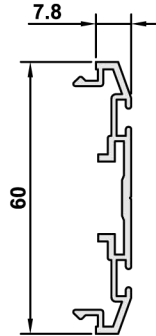
3036-20		
KAYIT BAĞLANTILARI CONNECTIONS OF TRANSOM PR.		
3004 (35mm)		
Jx (cm <sup>4</sup> )	Jy (cm <sup>4</sup> )	y x
75,84	24,93	
AĞIRLIK / WEIGHT		
1,772 kg/m		



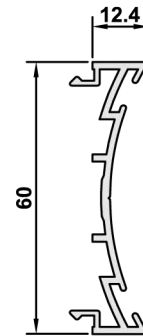
3035-20		
KAYIT BAĞLANTILARI CONNECTIONS OF TRANSOM PR.		
3004 (35mm)		
Jx (cm <sup>4</sup> )	Jy (cm <sup>4</sup> )	y x
154,19	32,31	
AĞIRLIK / WEIGHT		
2,120 kg/m		



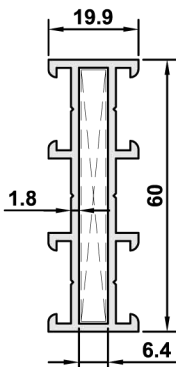
S5613-00		
Jx (cm <sup>4</sup> )	Jy (cm <sup>4</sup> )	y x
0,27	3,74	
AĞIRLIK / WEIGHT		
0,460 kg/m		



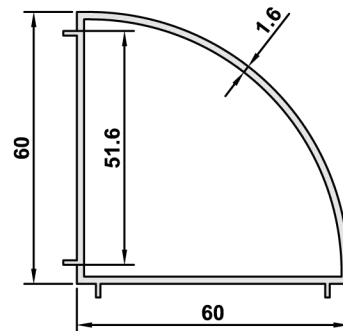
3102-16		
Jx (cm <sup>4</sup> )	Jy (cm <sup>4</sup> )	y x
6,24	0,14	
AĞIRLIK / WEIGHT		
0,472 kg/m		



3103-16		
Jx (cm <sup>4</sup> )	Jy (cm <sup>4</sup> )	y x
8,53	0,18	
AĞIRLIK / WEIGHT		
0,515 kg/m		

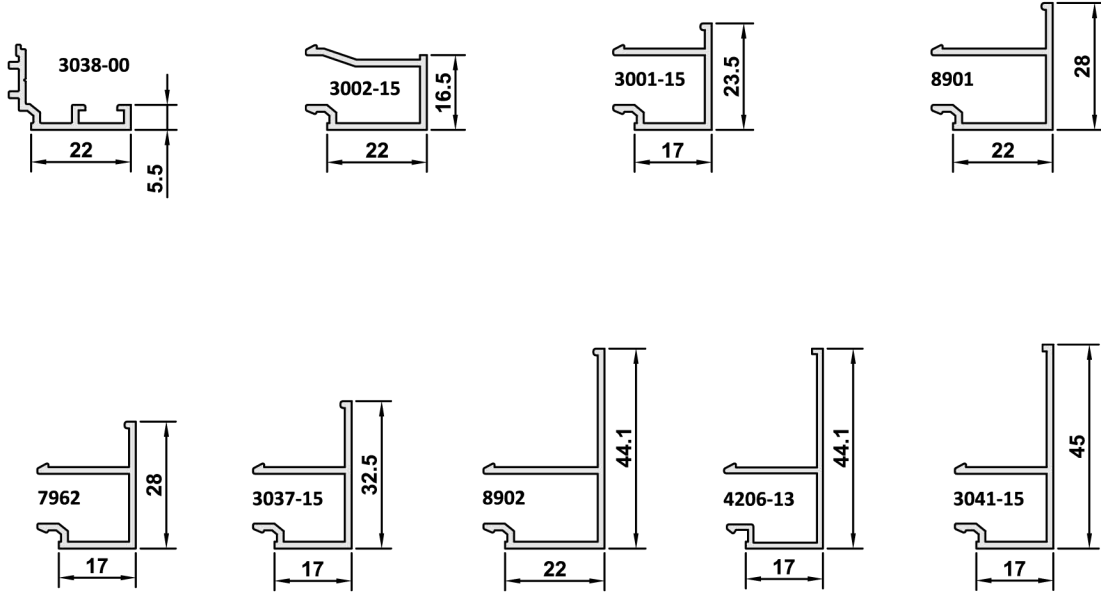


20321		
KÖŞE BAĞLANTILARI CORNER CLEATS AND ALIGNMENTS		
20322 (56mm)		
KAYIT BAĞLANTILARI CONNECTIONS OF TRANSOM PR.		
3004 (6mm)		
Jx (cm <sup>4</sup> )	Jy (cm <sup>4</sup> )	y x
12,55	0,96	
AĞIRLIK / WEIGHT		
0,886 kg/m		



7960		
Jx (cm <sup>4</sup> )	Jy (cm <sup>4</sup> )	y x
20,85	20,85	
AĞIRLIK / WEIGHT		
0,940 kg/m		

## CAM ÇİTALARI / GLAZING BEAD PROFILES

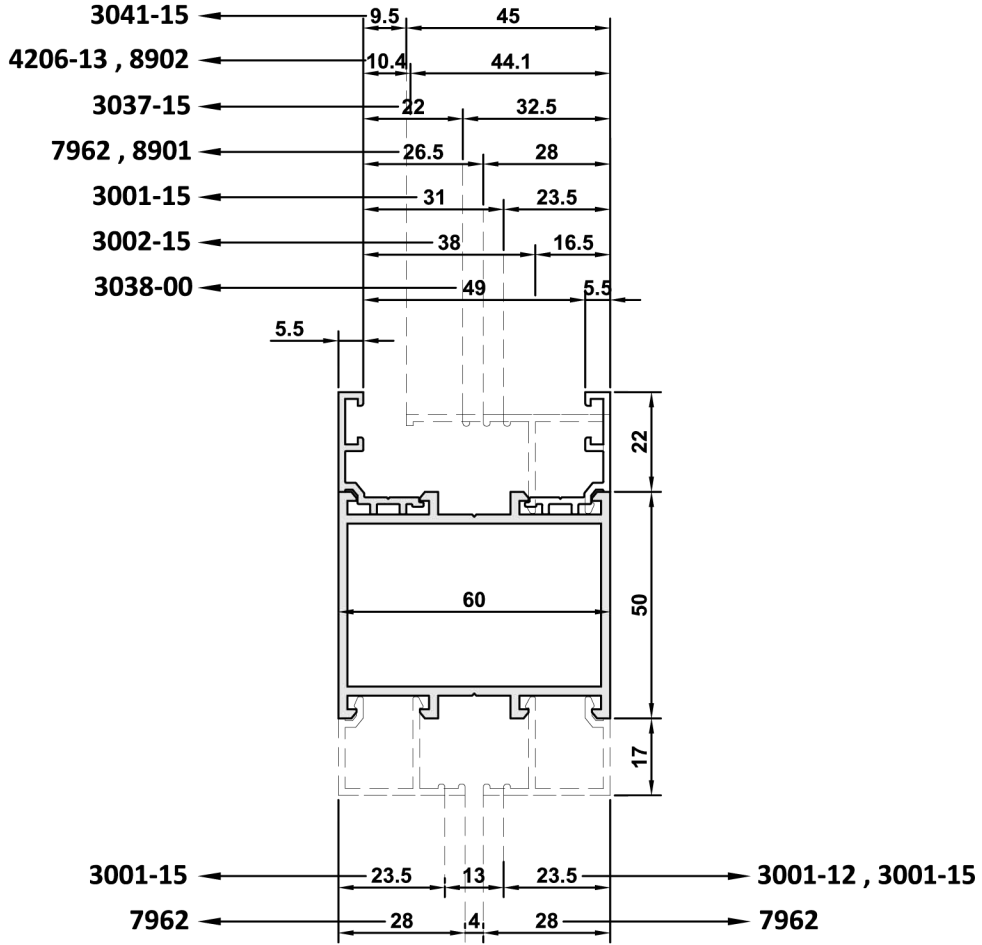


6

PROFİL NO PROFILE NO	GENİŞLİK WIDTH (mm)	ET KALINLIĞI WALL THICKNESS (mm)	AĞIRLIK WEIGHT (kg)
3038-00	5,5	1,5	0,225
3002-15	16,5	1,5	0,290
3001-15	23,5	1,5	0,285
7962	28	1,5	0,300
8901	28	1,5	0,342
3037-15	32,5	1,5	0,374
4206-15	44,1	1,5	0,320
8902	44,1	1,5	0,407
3041-15	45	1,5	0,370

## CAM KALINLIĞINA BAĞLI CAM ÇITASI SEÇİM TABLOSU

### GLAZING BEAD SELECTION TABLE ACCORDING TO THE GLASS THICKNESS



## ÖNEMLİ NOTLAR / IMPORTANT NOTES

**CAM VE PROFİL TOLERANSLARI + VEYA - YÖNDE BERABER ÇALIŞARAK TEORİDE OLMASI GEREKENDEN BÜYÜK VEYA KÜÇÜK BİR FİTİL BOŞLUĞUNA NEDEN OLABİLİR.**

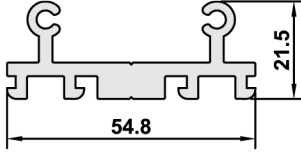
THE GLASS AND THE PROFILE TOLERANCES CAN BE WORK AT + OR - DIRECTION TOGETHER. IT CAUSES THE GASKET'S SPACE BIGGER OR SMALLER THAN NORMAL.

**KAMA FİTİLLERİN YERİNE GEÇMESİNDE PROBLEM YAŞANMAMASI İÇİN, ÖNCELİKLE BİR NUMUNE ÜZERİNDE DENENMESİNİ TAVSİYE EDERİZ.**

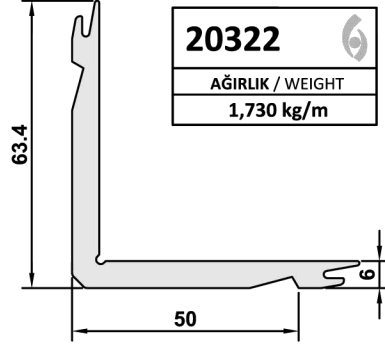
WE ADVISE THAT THE INNER GASKET AND GLAZING BEAD RELATION SHOULD BE CHECKED ON A MOCK-UP BEFORE.

## ALÜMİNYUM AKSESUAR PROFİLLERİ

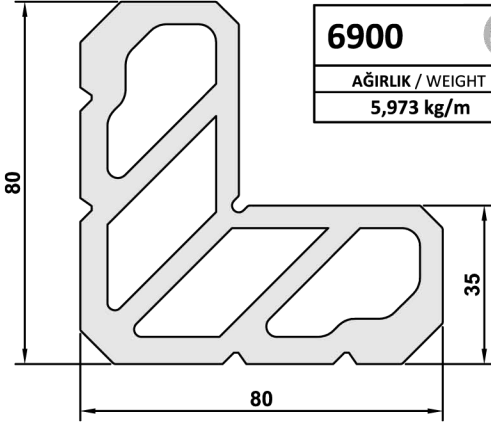
PROFILES OF ALUMINIUM ACCESSORIES



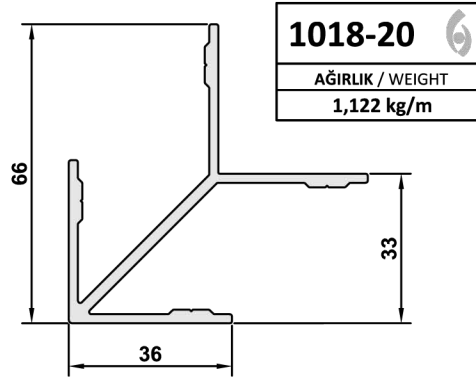
<b>3004</b>
AĞIRLIK / WEIGHT
1,084 kg/m



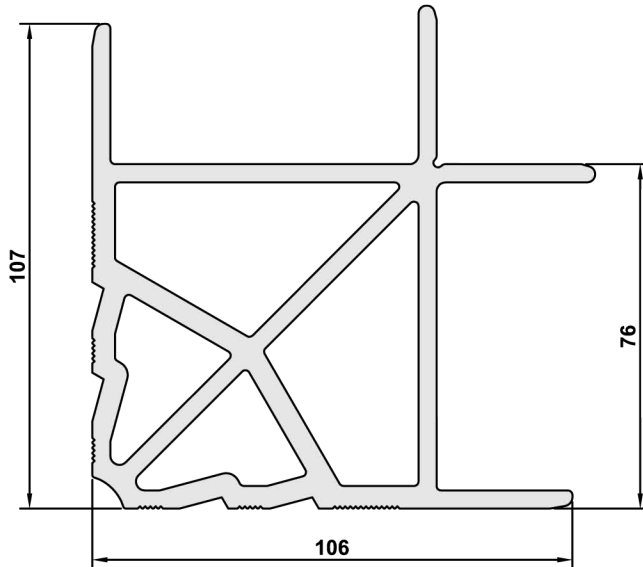
<b>20322</b>
AĞIRLIK / WEIGHT
1,730 kg/m



<b>6900</b>
AĞIRLIK / WEIGHT
5,973 kg/m



<b>1018-20</b>
AĞIRLIK / WEIGHT
1,122 kg/m





<b>20799</b>
AĞIRLIK / WEIGHT
6,677 kg/m



# DETAYLAR

# DETAILS

## TARAMA STİLLERİ / HATCH STYLES

- |   |   |   |  |
|---|---|---|--|
|  | EPDM FİTİL / EPDM GASKET                  |  | PVC PROFİL / PVC PROFILE                     |
|  | STRÜKTÜREL SİLİKON / STRUCTURAL SILICONE  |  | ÇELİK PROFİL / STEEL PROFILE                 |
|  | MESAFE BELİRLEYİCİ / SPACE ADJUSTER       |  | SU YALITIM MEMBRANI / WATERPROOFING MEMBRANE |
|  | ALÜMİNYUM PROFİL / ALUMINIUM PROFILE      |  | POLİETİLEN CONTA / POLYETHYLENE GASKET       |
|  | PROFİL PARÇA (Al) / PIECE OF PROFILE (Al) |  | TAŞYÜNÜ / ROCKWOOL                           |
|  | ISI BARIYERİ / INSULATION BAR             |  | CAM / GLASS                                  |

